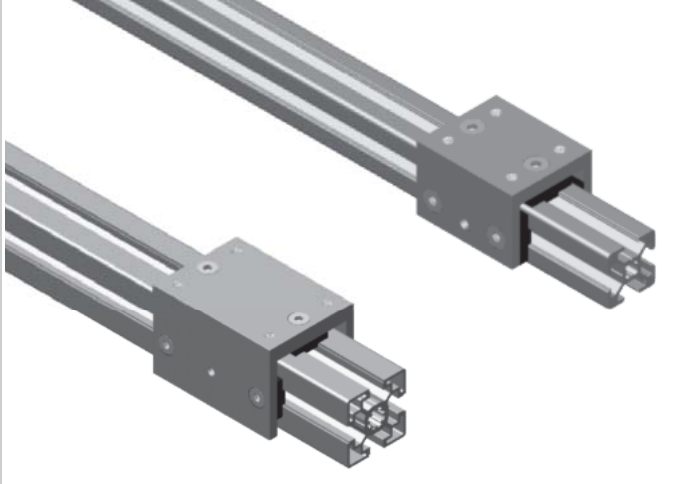




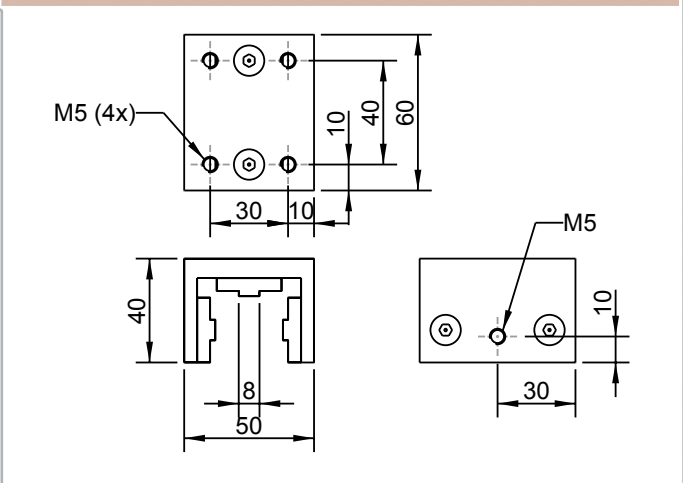
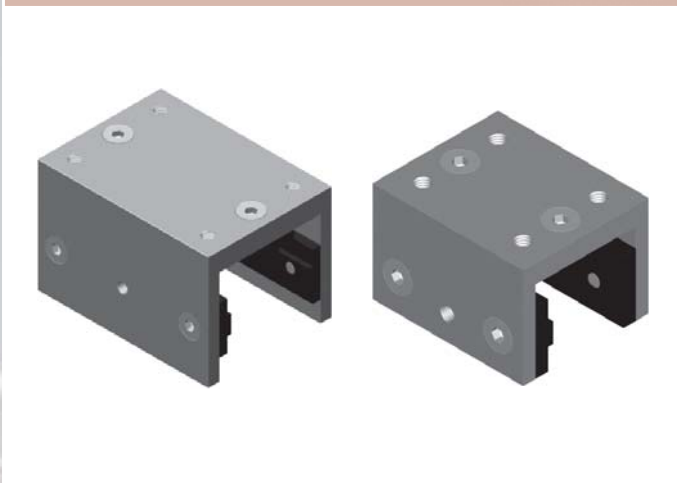
Sliding Blocks (WS): General Information:



Item Description: Item Number:

WS - 45

WS - 30



Technical Information:

Item Description	Dim -L- (mm)	Weight (g)	Colour	Finish	Material
WS - 45	-	-	-	-	-
WS - 30	-	-	-	-	-



Roller Carriages (LW):

General Information:



Item Description:

Item Number:

LW - 106

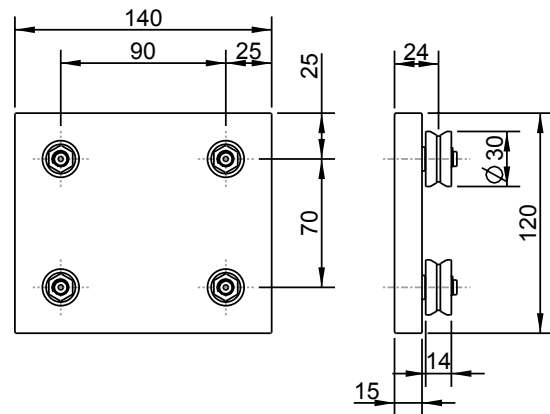
1.25.0500.0

LW - 208

1.25.0501.0

LW - 210

1.25.0502.0



Technical Information:

Item Des.	Dimensions (mm)															Weight (kg)		Mat.
	-A-	-A1-	-A2-	-A3-	-A4-	-B-	-B1-	-B2-	-B3-	-B4-	-C-	-d-	-D-	-D1-	Ac	Al		
LW-106	120	18.5	83.0	7.5	61.0	80.0	19.5	41.0	8.5	19.0	10.0	6.0	22.0	16.0	0.7	0.25	Steel	
LW-208	140	25.0	90.0	10.0	60.0	120	25.0	70.0	10.0	40.0	15.0	8.0	30.0	20.0	1.9	0.6		
LW-210	150	26.0	98.0	7.0	60.0	120	25.0	70.0	6.0	32.0	20.0	10.0	38.0	26.0	2.5	0.9		



Concentric Bearings (CB):



General Information:

Item Description:

CB - 106

CB - 208

CB - 210

Item Number:

1.25.0500.0

1.25.0501.0

1.25.0502.0

Set Includes:

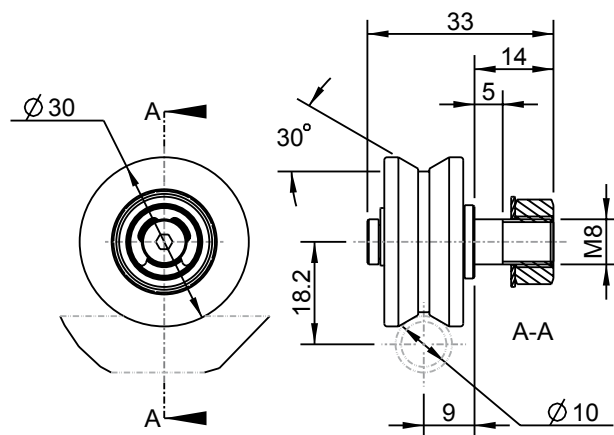
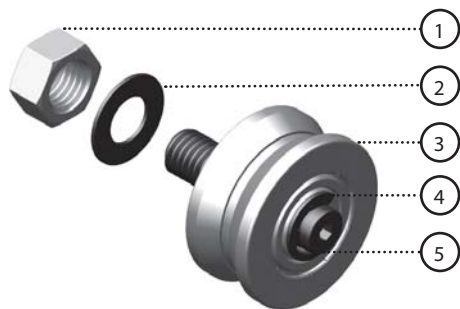
1 - Hex nut x 1

2 - Washer x 1

3 - Bearing x 1

4 - Sur-clip x 1

5 - Pin x 1



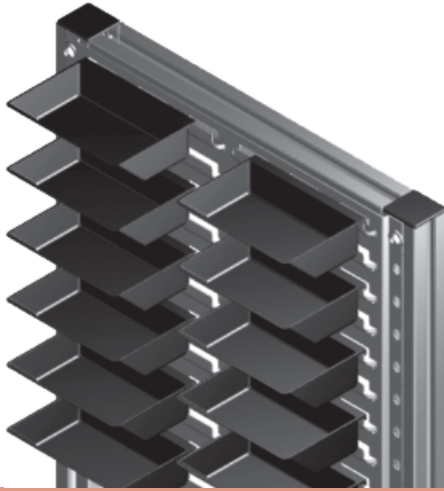
Technical Information:

Item Des.	Dimensions (mm)								Loads (N)		Weight (g)	Material
	-D-	-d-	-d1-	-L-	-L1-	-L2-	-B-	-I-	A	R		
CB-106	22.0	M6	10.0	25.0	13.0	10.0	6.0	14.5	300.0	300.0	30.0	Steel
CB-208	30.0	M8		31.0	14.0	14.0	9.0	18.0	400.0	1000.0	70.0	
CB-210	38.0	M10		40.0	17.0	19.0	14.0	22.0	600.0	1300.0	150.0	



Louvred Panels (LP):

General Information:



Item Description:

Item Number:

LP - 457

1.25.0134.0

LP - 914

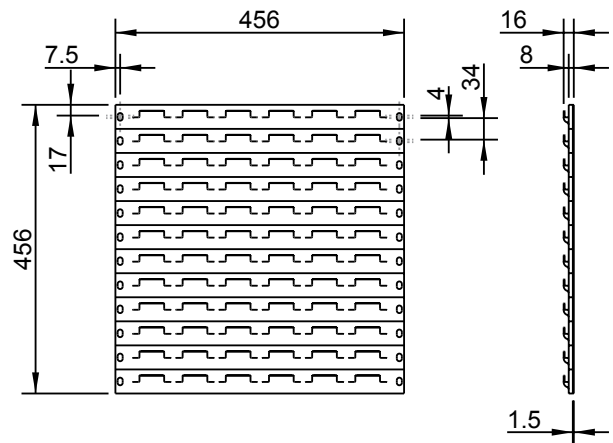
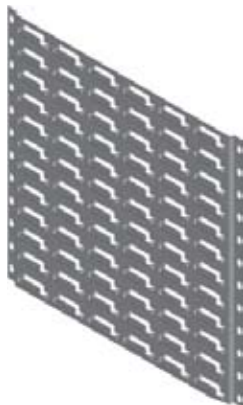
1.25.0135.0

LP - 1224

1.25.0136.0

LP - 1829

1.25.0137.0

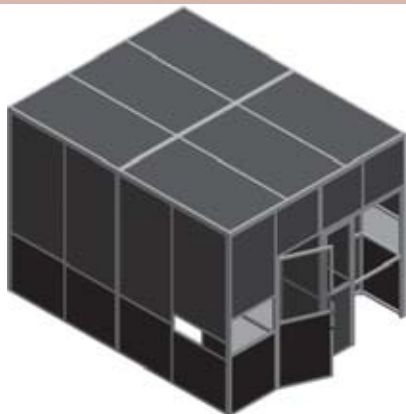


Technical Information:

Item Description	Dim -H- (mm)	No. of Louvre Rows	Weight (g)	Colour	Finish	Material
LP - 457	457.0	12.0	-	Grey	Powder coated	Steel
LP - 914	914.0	24.0	-			
LP - 1224	1224.0	32.0	-			
LP - 1829	1829.0	48.0	-			



Protective Panels:



General Information:

Function: Used as protective walls and windows.

Item Description:

Acrylic 4.5

Acrylic 6

Polycarb 4.5

Polycarb 6

Brushed Stainless Steel 304 1.2

Brushed Stainless Steel 304 1.6

Brushed Stainless Steel 304 2

Gal Sheet 1.2

Gal Sheet 1.6

Item Number:

1.28.0306.0

1.28.0305.0

1.28.0301.0

1.28.0300.0

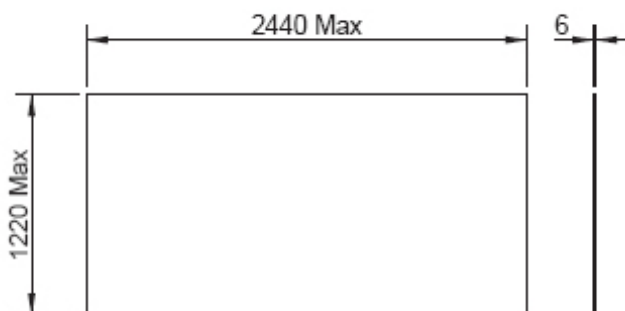
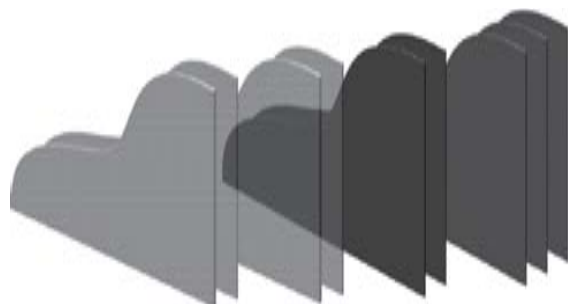
1.28.0310.0

1.28.0311.0

1.28.0312.0

1.28.0315.0

1.28.0316.0



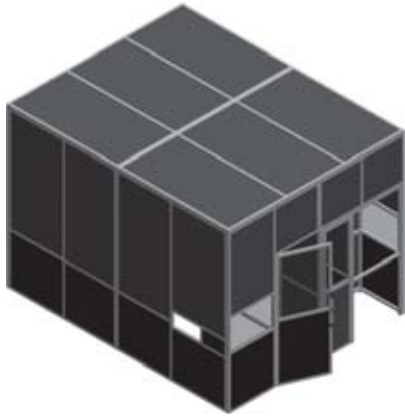
Technical Information:

Item Description	Dim -t- (mm)	Colour	Material
Acrylic 4.5	4.5	Clear (Other colours available on request)	Acrylic
Acrylic 6	6.0		Polycarbonate
Polycarb 4.5	4.5		Brushed Stainless Steel 304
Polycarb 6	6.0		
Brushed Stainless 304 1.2	1.2		
Brushed Stainless 304 1.6	1.6	Silver	Brushed Stainless Steel 304
Brushed Stainless 304 2	2.0		
Gal Sheet 1.2	1.2	Natural	Galvanized Steel
Gal Sheet 1.6	1.6		



Protective Mesh:

General Information:



Function: Used as protective walls and windows.

Item Description:

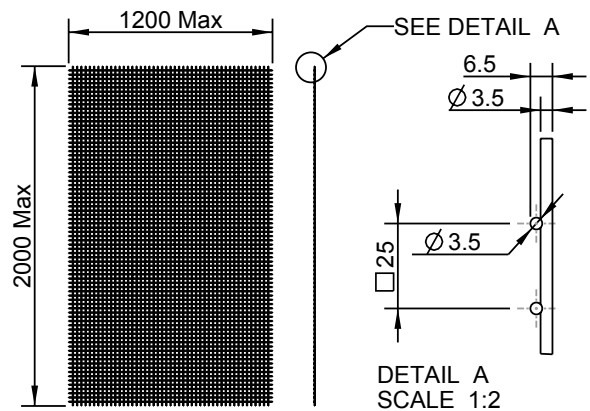
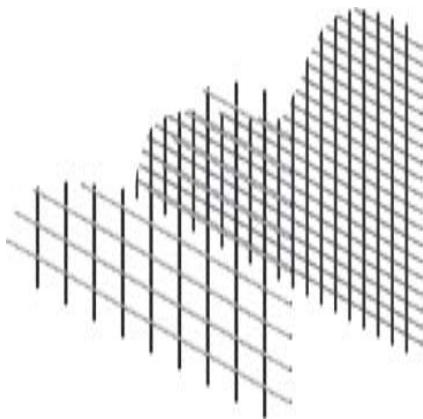
Item Number:

Gal Mesh 25x25x3.15

1.28.0320.0

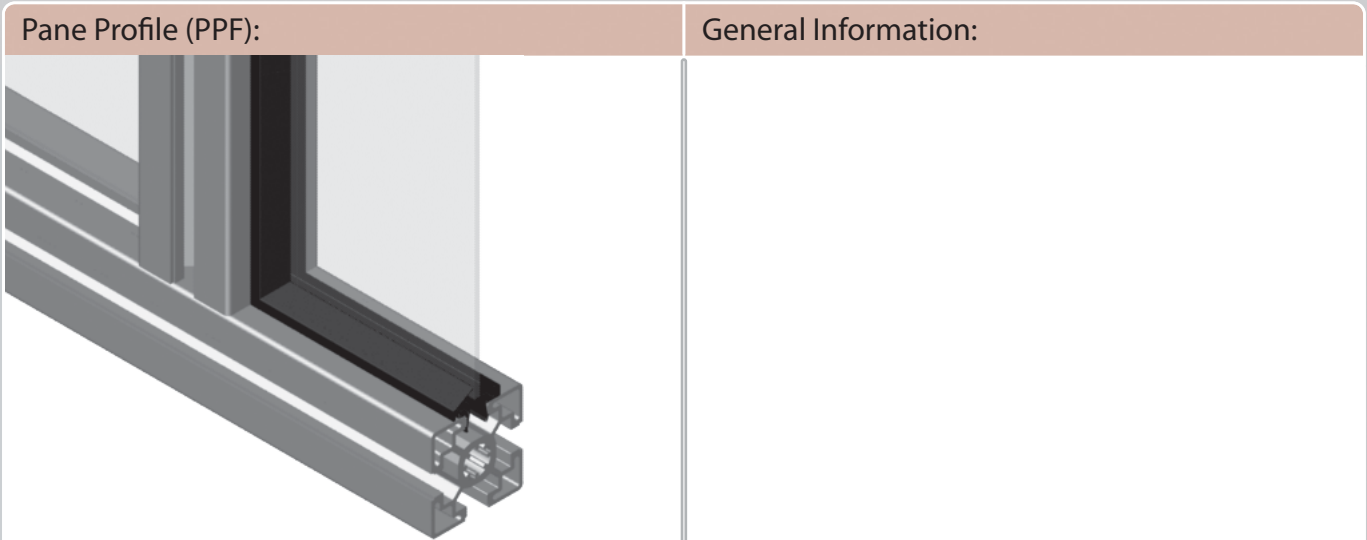
Gal Mesh 50x50x4

1.28.0321.0

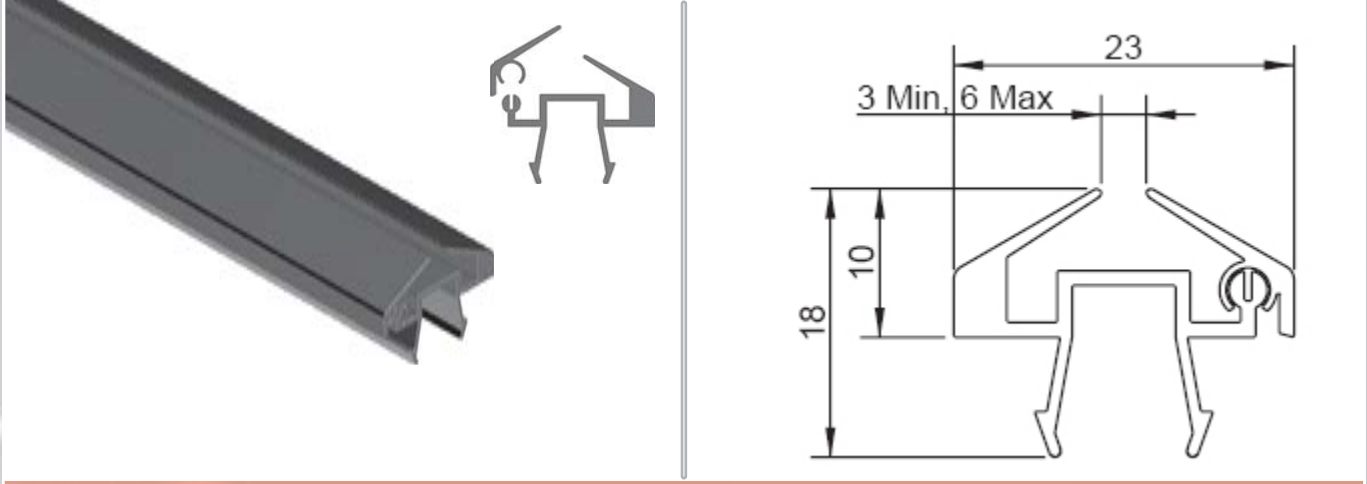


Technical Information:

Item Description	Dim -A- x -B- (mm)	Dim -D- (mm)	Colour	Material
Gal Mesh 25x25x3.15	25.0 x 25.0	3.15	Natural	Galvanized Steel
Gal Mesh 50x50x4	50.0 x 50.0	4.0		



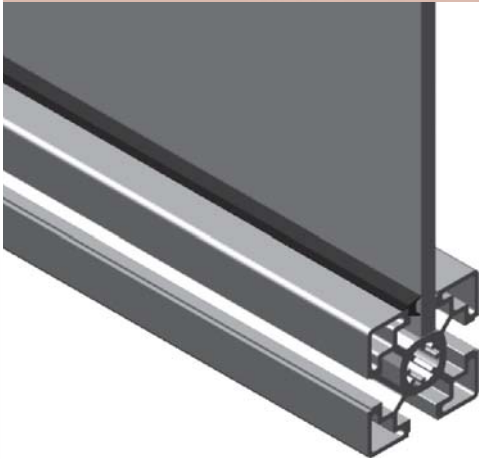
Item Description:	Item Number:
PPF	1.25.0086.0 10



Technical Information:					
Item Description	Standard Length (mm)	Weight (g)	Colour	Finish	Material
PPF	2000.0	-	Black	Plain	PVC



Sealing Wedge (SWD):



General Information:

Function: Used to secure panels into profile slots.

Panel Size Required:

1. For 10 mm slot frames, add 12 mm onto each side of the panel.
2. For 8 mm slot frames, add 8 mm onto each side of the panel.

Item Description:

SWD 4 - S10

SWD 6 - S10

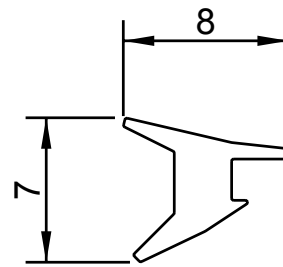
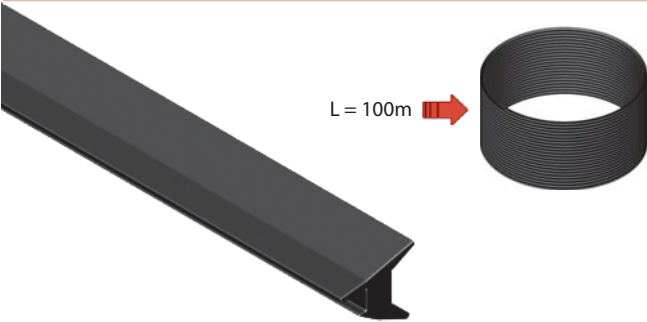
MSWD 4 - S8

Item Number:

1.25.0084.0

1.25.0083.0

1.25.0085.0

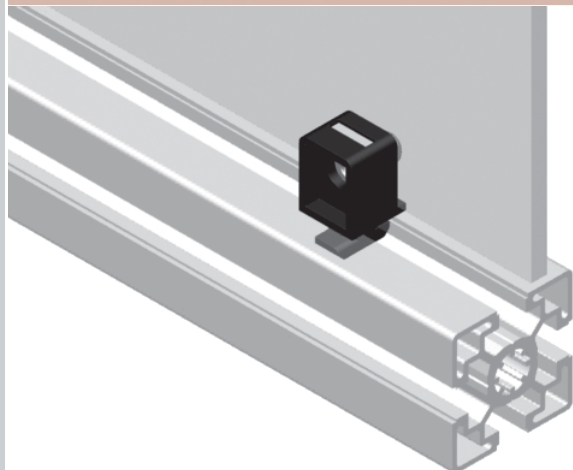


Technical Information:

Item Description	Slot (mm)	Standard Length (m)	Panel Thickness (mm)	Weight (g)	Colour	Finish	Material
SWD 4 - S10	10.0	100.0	4.5 or 6.0	-	Black	Plain	Rubber
SWD 6 - S10			-				
MSWD 4 - S8	8.0	-	4.5				



Vario Blocks (VB):



General Information:

Function: Used for mounting and securing panels on profiles.

Features:

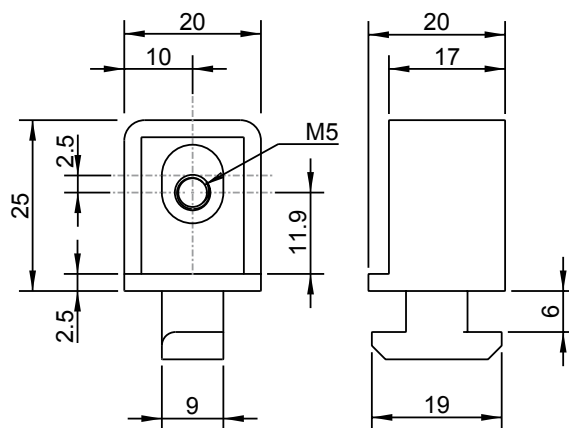
1. Can be inserted into the profile slot at any position and then secured via a 90° turn.

Item Description:

VB - M5

Item Number:

1.35.0087.0

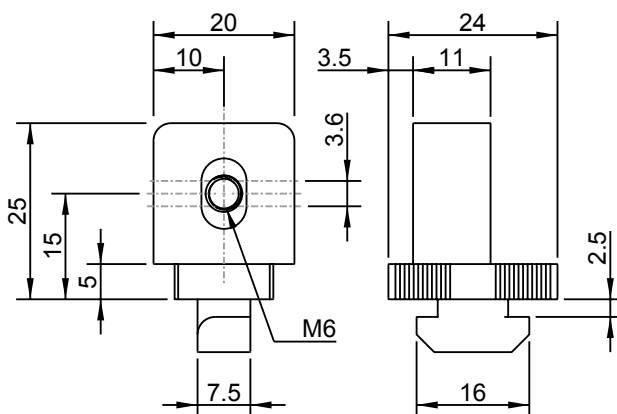


Item Description:

MVB - M6

Item Number:

1.35.0088.0



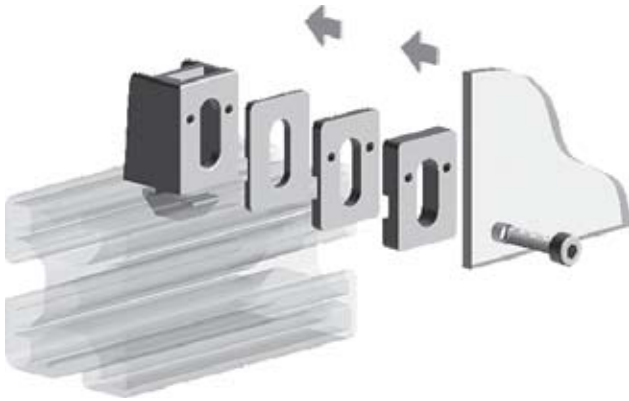
Technical Information:

Item Description	Nut Size	Slot-N- (mm)	Weight (g)	Colour	Material
VB - M5	M5	10.0	-	Black	Polyamide
MVB - M6	M6	8.0	-		



Vario Block Spacers (VBS):

General Information:



Function: Used to increase the distance between the 'Vario Block' and the attached panel.

Item Description:

Item Number:

VBS - 2

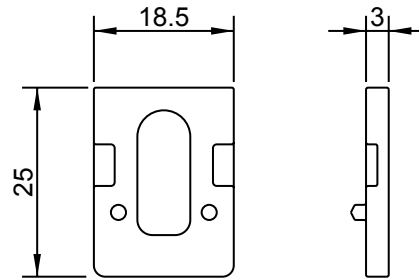
094102

VBS - 3

094103

VBS - 5

094105



Technical Information:

Item Description	Weight (g)	Colour	Finish	Material
VBS - 2	-	Black	Plain	Rubber
VBS - 3	-			
VBS - 5	-			